

## Model: AITP-04

Face Recognition Access control & time attendance temperature measurement terminal



**Face Recognition Access control & time attendance temperature measurement terminal**, based on self-developed AR9201 AI chip, with the support of powerful and the most advanced built-in facial recognition algorithm and high-resolution infrared thermography camera, can quickly identify passengers through Face ID, even who wearing masks. This system can also detect the abnormal forehead temperature without touch and assistance, which can help to protect both passengers and gatekeepers.

### Key Features:

- Temperature measurement with infrared thermal camera:
  - 7 inches TFT Screen and 160\*120 resolution infrared thermal camera
  - Walk through identification & authorization, no slowing down or stopping needed
  - High temperature detection speed: 60-80 persons/min
  - Far temperature detection distance: range 0.5-1.5m
  - High temperature detection accuracy:  $\pm 0.3^{\circ}\text{C}$
  - Support live view on PC, mobile device, or external monitor
  - Support color highlight alarm and audio alarm (no wearing mask alarm)
- Face recognition access control & time attendance:
  - Build-in world class facial recognition algorithm with dual cameras
  - High recognition speed: less than 0.2s
  - High recognition accuracy rate: more than 99.99%
  - Large local libraries: 50,000 faces data
  - Support living body recognition
  - Mask face recognition rate: more than 95%

## Specification:

Product model: AITP-04

Product name: Face Recognition Access control & time attendance temperature measurement terminal

Target	Item	Specification	
Thermal Model	Infrared Thermography Camera	Vanadium Oxide Uncooled Focal Plane Arrays	
	Maximum Resolution	160*120	
	Temperature Detection Distance	0.5-1.5m	
	Temperature Detection Accuracy	±0.3℃	
Hardware	Processor	AR9201	
	Operation system	Linux	
	Storage	8GB EMMC + 1G DDR4	
	LCD	7 inches, 1024 * 600 resolution	
Optical Module	Image Sensor	2 million effective pixels, 1920 * 1080 SONY IMX307	
	Signal to noise ratio	More than 50db (AGC OFF)	
	Wide Dynamic Range	More than 120db	
	Camera	Dual Cameras	
Face Recognition	Face Spoofing	Support Face Spoofing Detection Using Active Near-Infrared Videos	
	Recognition Height	1.2 - 2.2 meters, adjustable angle	
	Face Library	50000	
	Recognition Distance	0.5 – 1.5 meters, variable depending on the lens	
	Face angle	30 degrees left and right, 30 degrees up and down	
Interface	Push Button	1	
	Power	DV12V	
	Network Interface		1 RJ45 10M / 100M Ethernet port
			1*2.4G Wi-Fi module (optional)
			1*4G module (optional)
USB Interface	1* USB 2.0 interface		
Machine Parameters	Operating Temperature	Face ID: -10℃ - 50℃, For temperature measurement: 10℃ to 35℃ (50°F to 95°F)	
	Operating Humidity	0%~90%	
	Power	Maximum power <24w, 12v power supply	
	Dimension	120mm*226.5mm*33.5mm	

## Installation:



Pedestal-mount



Wall-mount

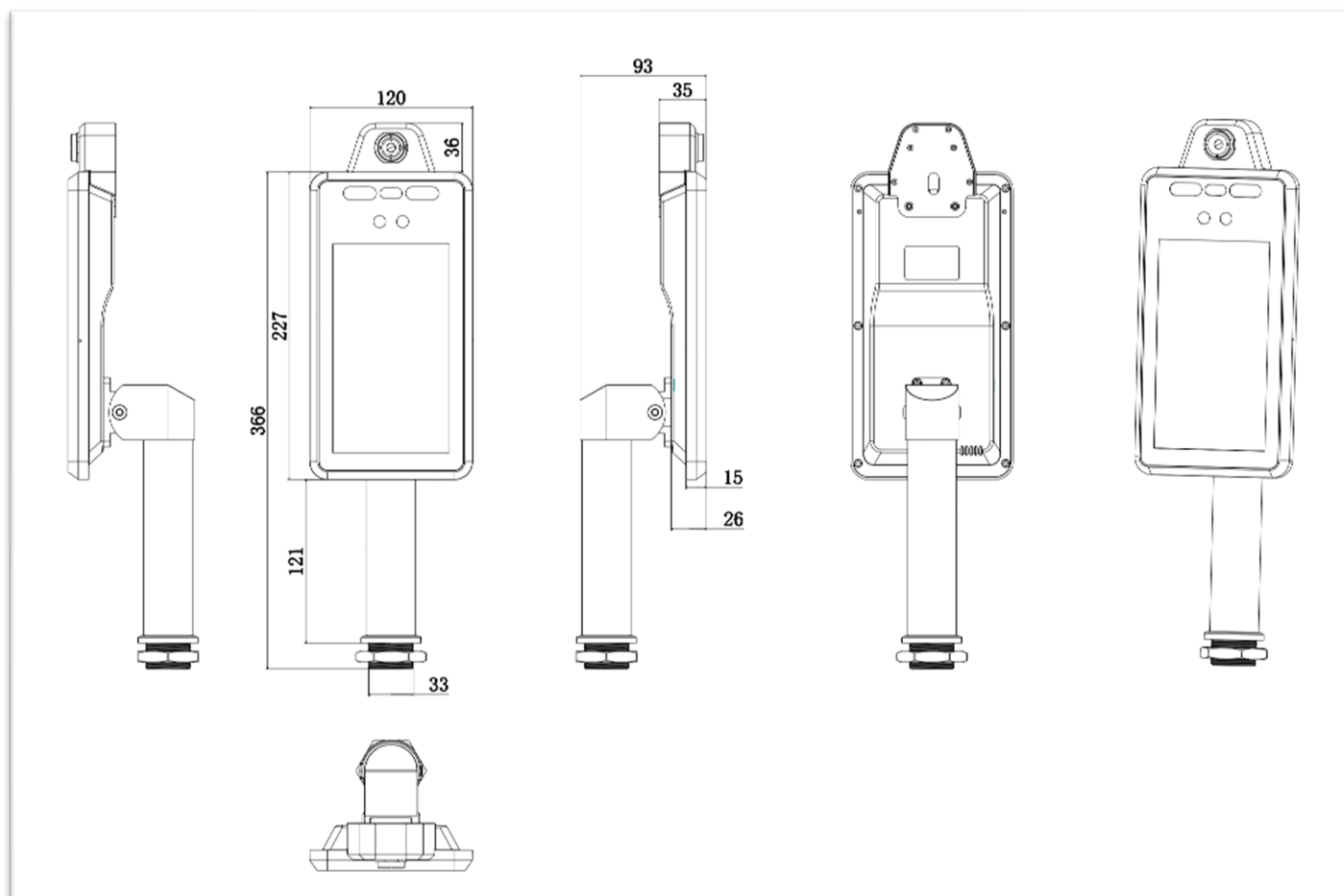


Desktop

**Dimension:**

Product model: AITP-04

Product name: Face Recognition Access control & time attendance temperature measurement terminal



**Application Scenarios:**

School/Campus	Public Transportation	Airport
		
Office	Shopping mall	Hospital
		